

ES 200 Automatic sliding door operator



Flexible simple and module - with drive power to spare

The ES200 is an elegant and functional unit that has been designed to meet the requirements of every automatic sliding door application.

Suitable for sliding doors of all types, including models designed for emergency exits and escape routes (supplied either pre-assembled as a complete drive unit or in component form

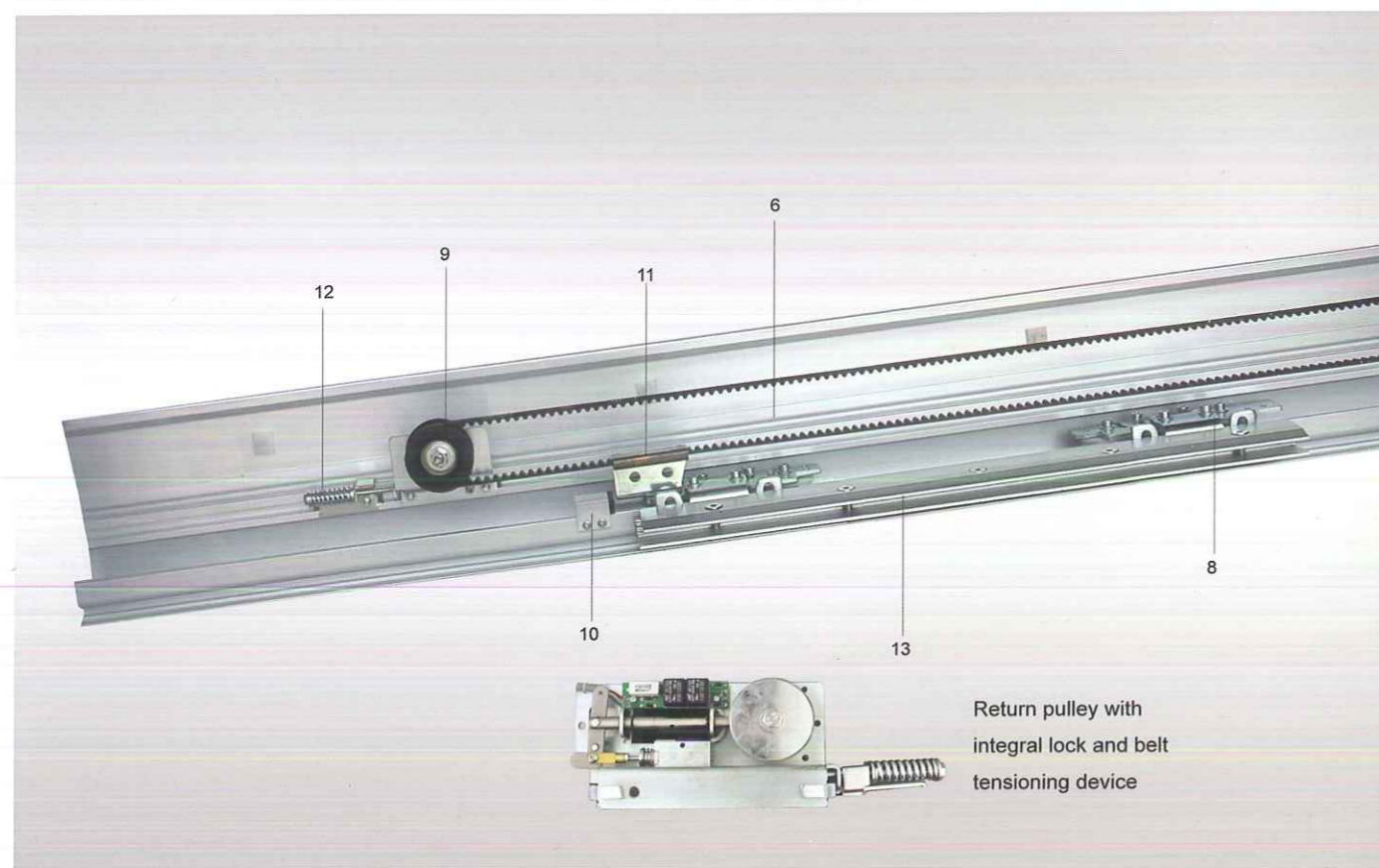
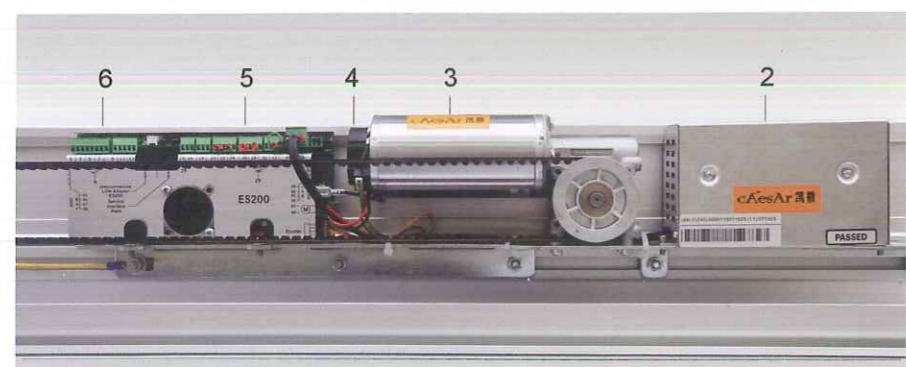
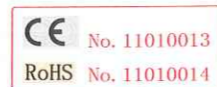
Mechanics, electrics and electronics precisely adapted to individual requirements

Time-saving installation and simple adjustment of the mechanics and electrics

High reliability, exceptional safety standards

Many settings can be implemented and adjusted at the software level

Optimum adaptability to individual requirements



Door parameters	ES 200
Single-leaf sliding door	
- Clear passage width LW	700 - 3000mm
- Door leaf weight, Max	1 x 200kg
Double-leaf sliding door	
- Clear passage width LW	800 - 3000mm
- Door leaf weight, Max	2 x 160kg

Technical data	
Height	95mm
Structural depth	180mm
Adjustable opening & closing force, max	●
Adjustable opening speed	10 - 70cm/s
Adjustable closing speed	10 - 50cm/s
Adjustable pausing time	0 - 180sec
Power supply data	230V, 50/60Hz
Power consumption	200W
Degree of protection	IP 20
Tested with low voltage directives	●

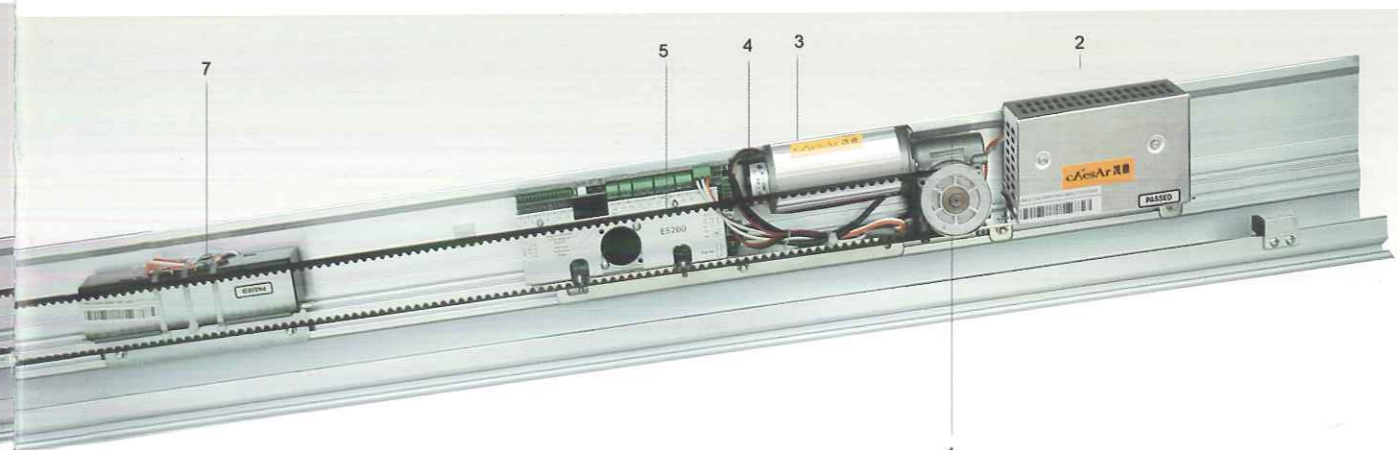


A CAESAR PDA can be used for commissioning, parameterisation and diagnosis of drive and control ES 200 automatic door operator.

Basic module(BM)	
Modular design	●
Microprocessor control	●
- Function programs	●
- Automatic	●
- Permanent open	●
- Partial opening	●
- Exit only	●
- Manual release device	●
Connection	●
- Electro-mechanical locking device	●
- Light barriers	●
Adjustment of parameters via integral display & keypad	●
Emergency opening or emergency closing	●
24 V output for external load	●
Readout error memory with error codes	●

Additional equipment	
Electro - mechanical lock (bistable)	○
Manual release of electro - mechanical lock	○
Light barriers	○
Backup battery pack	○
Module for coupling to EIB	○

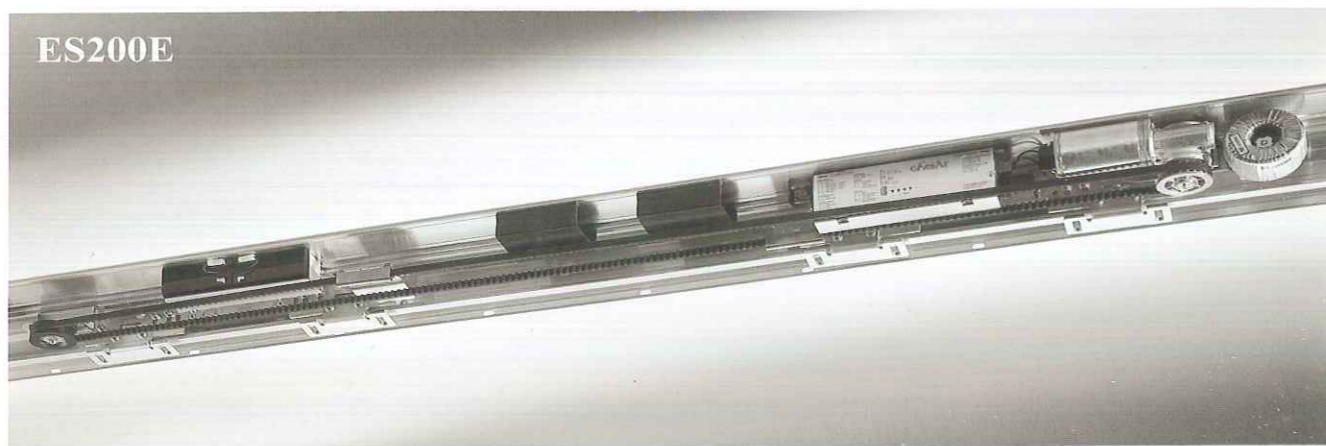
● Standard
○ Optional



Motion sensor

Components	
1 Mini Drive Unit (2-5)	9 Return pulley
2 Transformer	10 End stop
3 Motor	11 Belt connection
4 Decoder	12 Belt tensioning device
5 Basic control module	13 Glass clamping rail (optional)
6 Track	
7 Battery pack (optional)	
8 Carrier	

ES200E Automatic operator



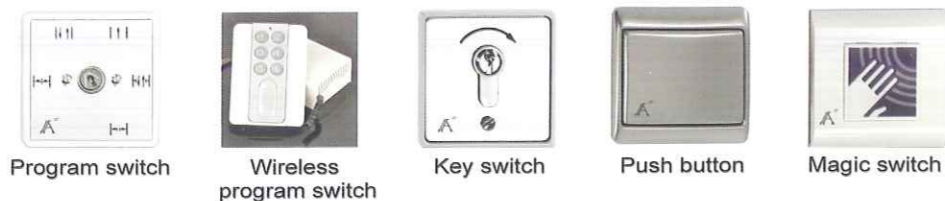
Door Parameter	ES200E
1. Panel sliding door	
- Clear passage width LW	700 - 3000mm
- Door panel weight, max	1 x 100kg
2. Panel sliding door	
- Clear passage width LW	800 - 3000mm
- Door panel weight, max	2 x 85kg



CE No. 11010013
RoHS No. 11010014

Accessories

Switch & button



Sensor & detector



Lock & Button



Others



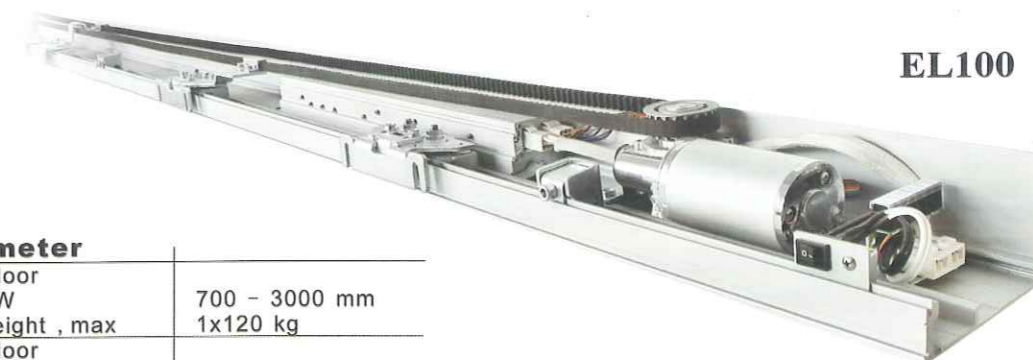
Cover set :
1. Cover
2. Hinge profile
3. Cover holder
4. side plate

EL economic operator



Easy, Economic, Functional

EL series operators which features in good performance and good quality is used for various doors because of its easy installation and economy.



EL100

Door Parameter

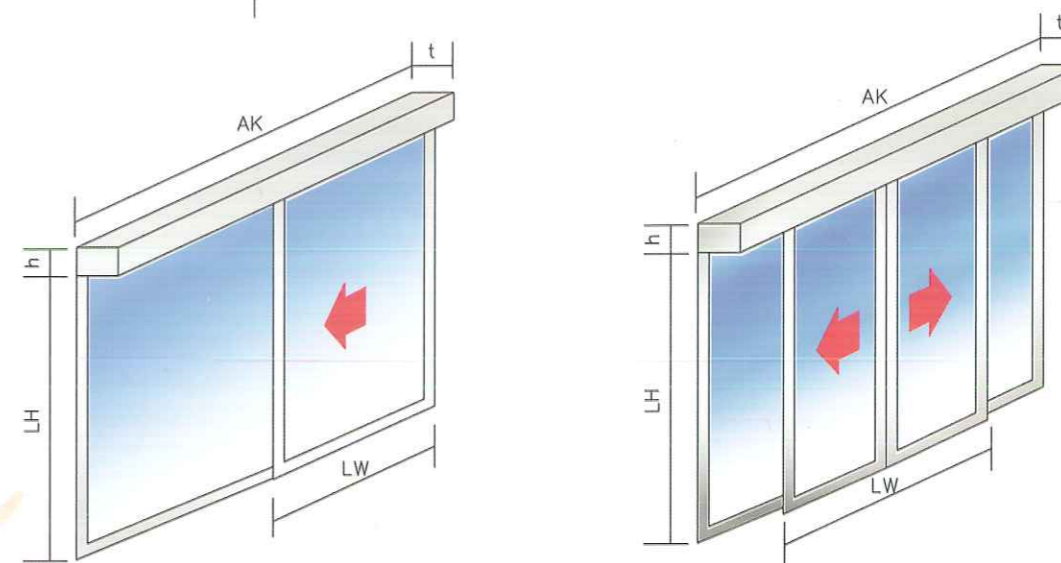
1. Panel sliding door	
- Transit with LW	700 - 3000 mm
- Door panel weight , max	1x120 kg
2. Panel sliding door	
- Transit with LW	800 - 2000 mm
- Door panel weight , max	2x100 kg
Height	128mm
Depth	100mm



EL-HSD

Door Parameter

1. Panel sliding door	
- Transit with LW	700 - 1100 mm
- Door panel weight , max	1x66 kg
2. Panel sliding door	
- Transit with LW	800 - 1600 mm
- Door panel weight , max	2x44 kg
Height	78mm
Depth	70mm



1 Panel sliding door

2 Panel sliding door